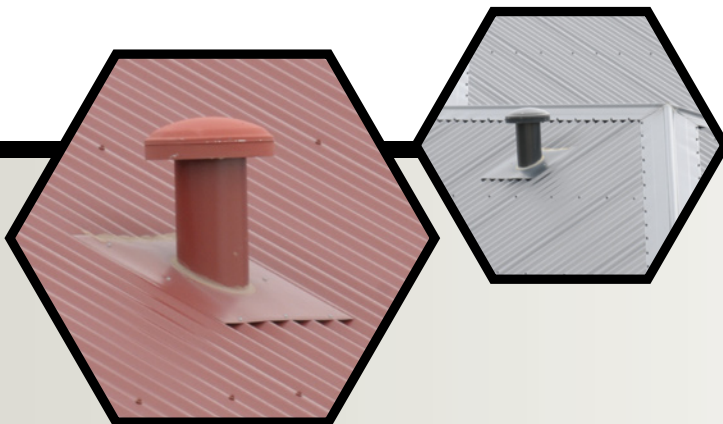
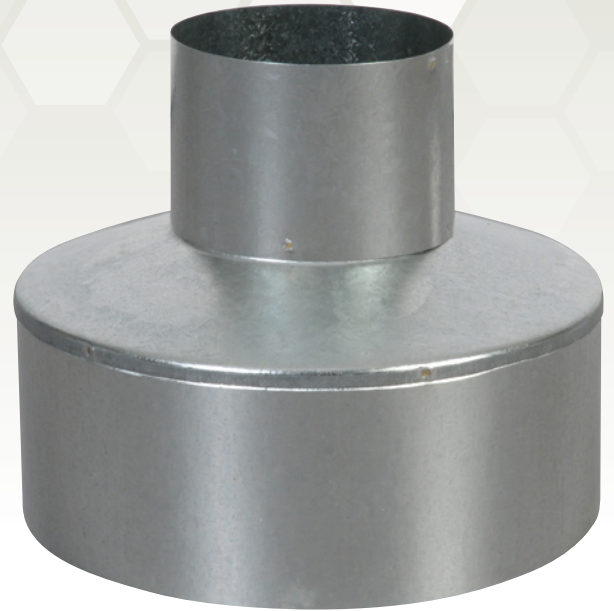
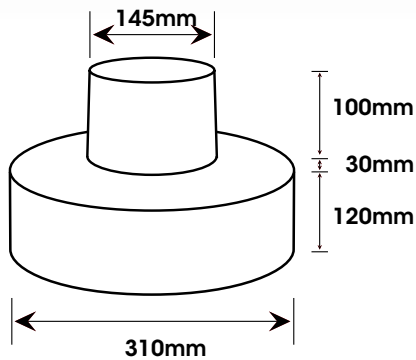


Spun Flume Adaptor - Extention

Made in 0.4mm Galvanised Steel this product is designed to cover an exhaust fan connecting directly to a Flume Or Cap Length with the ability to attach Flexi Duct via the extension of 100mm x 150mm diameter to navigate around internal roofing structures

Code	Diameter	Height
SFAE	310mm	250mm



www.formacs.com.au

info@formacs.com.au
Ph 9271 7279 Fax 9271 7625
Unit 2, 155 Beachboro Rd, Bayswater WA 6053